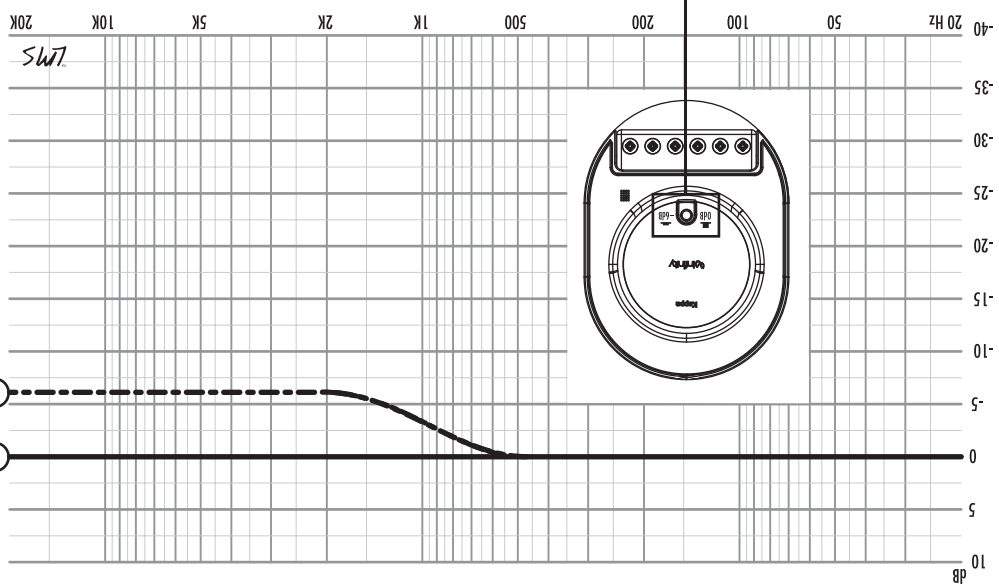
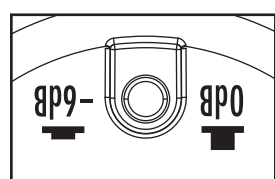
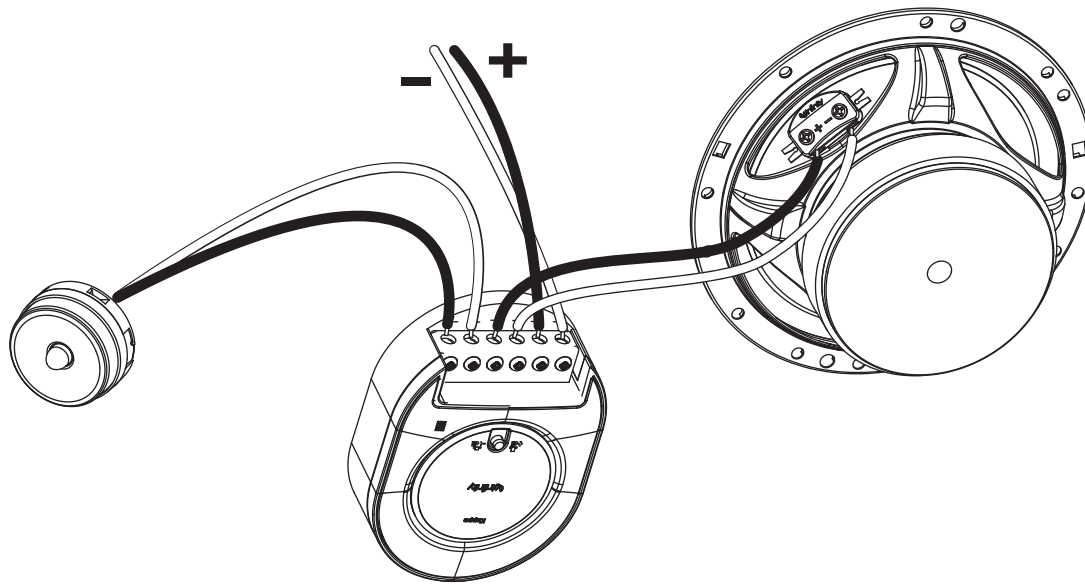


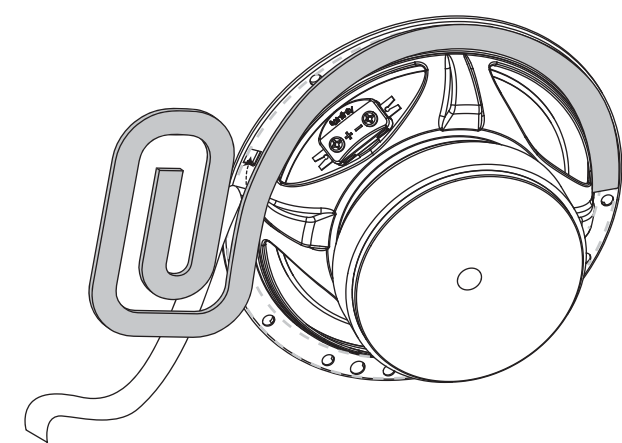
8P9- ② 8P0 ①



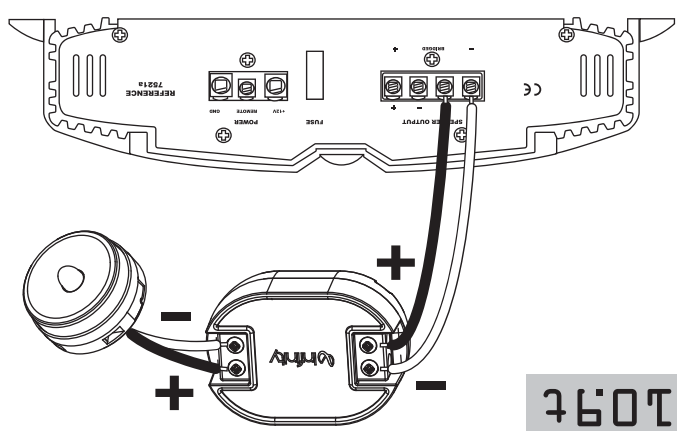
509cs, 609cs, 659cs, 6809cs



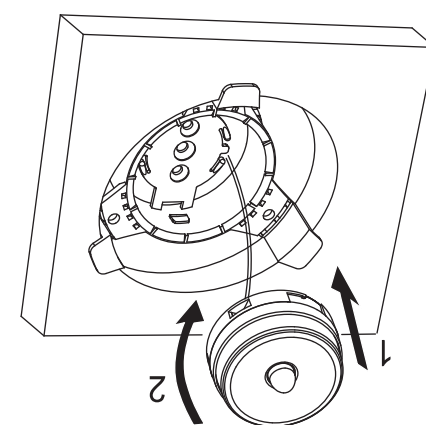
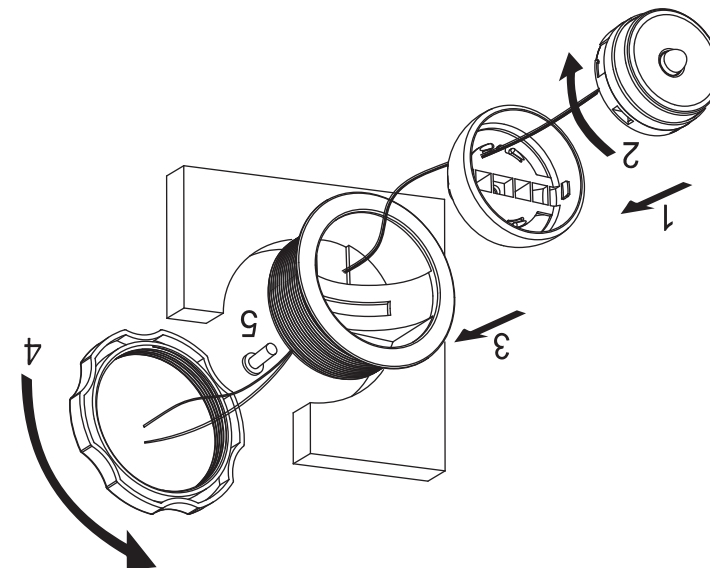
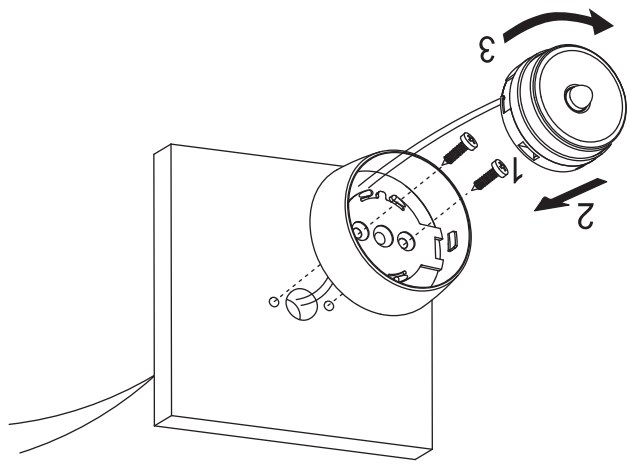
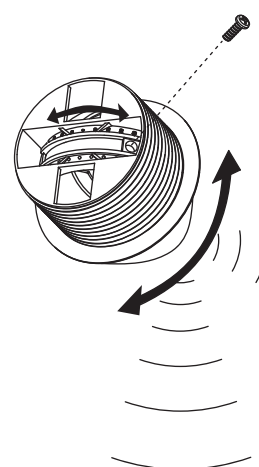
509cs, 609cs, 659cs, 6809cs



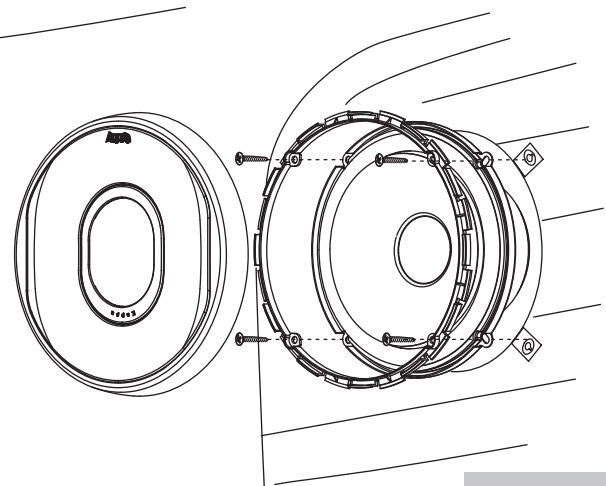
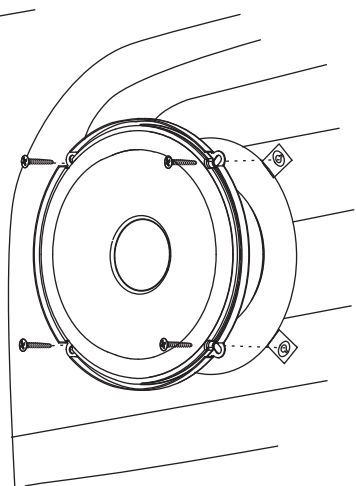
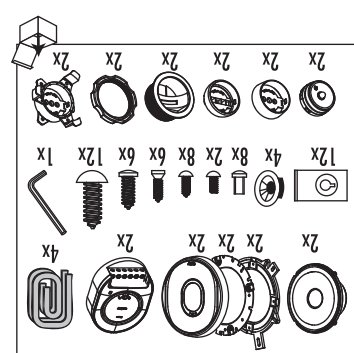
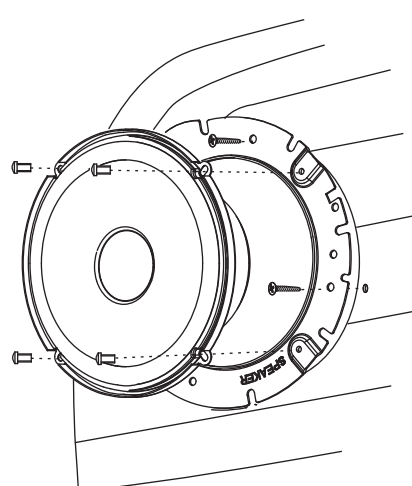
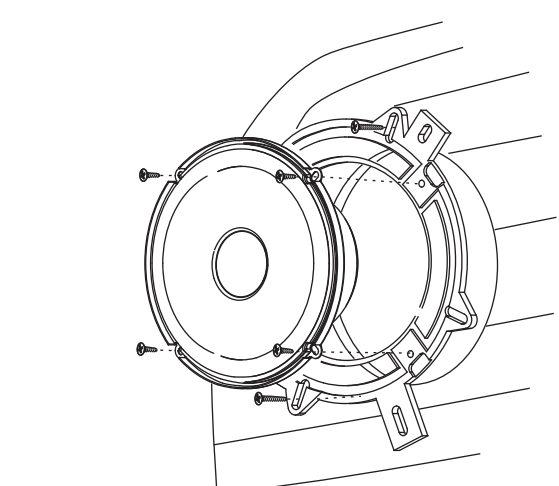
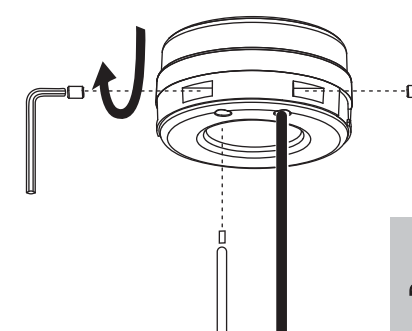
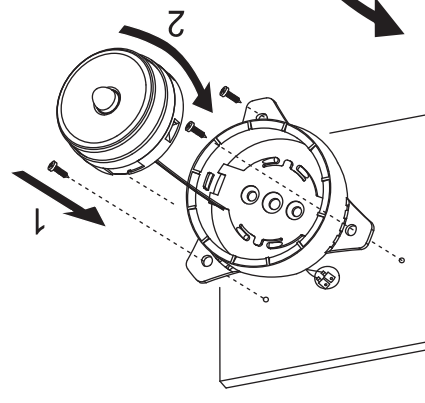
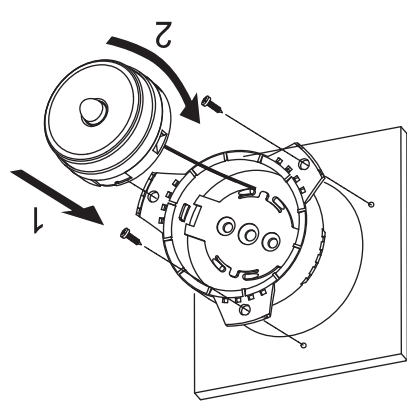
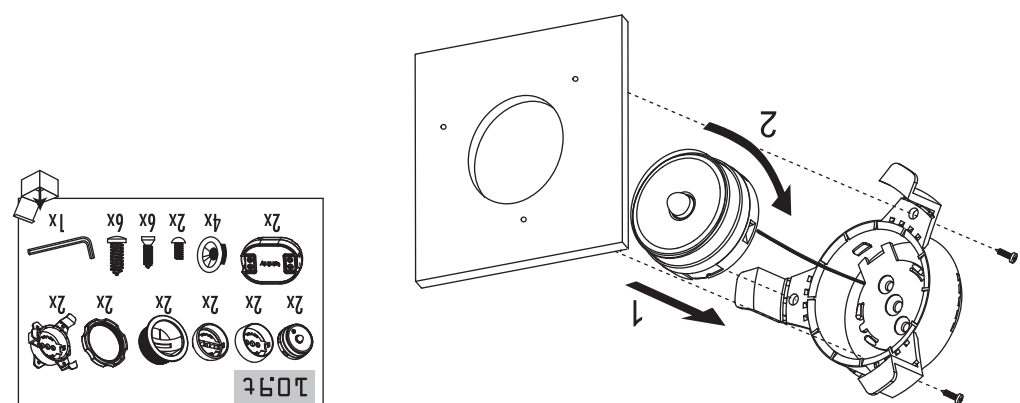
509cs, 609cs, 659cs, 6809cs



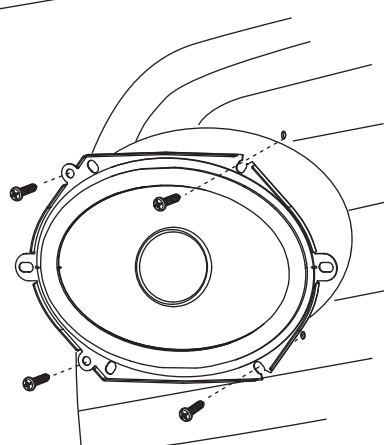
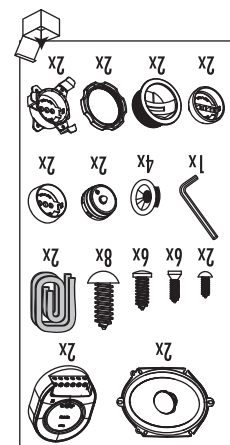
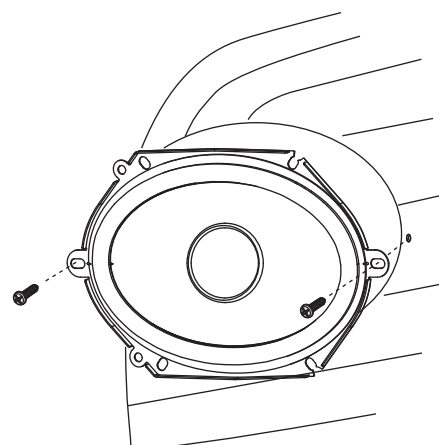
109t



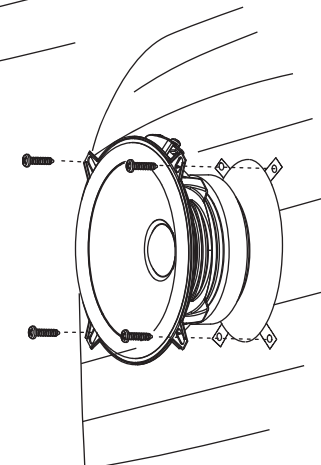
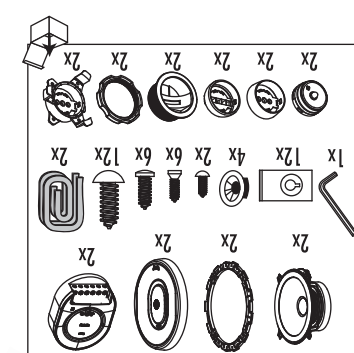
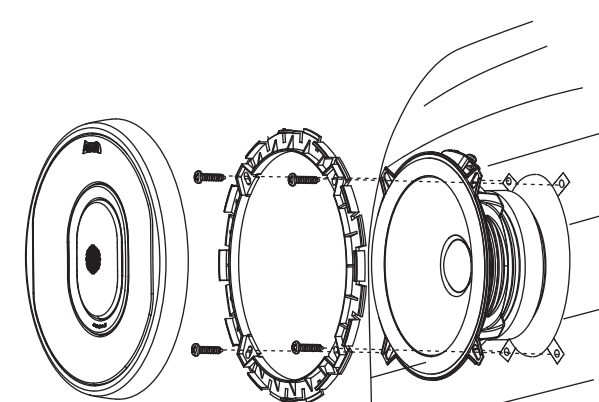
109t (509cs, 609cs, 659cs, 6809cs)



609cs

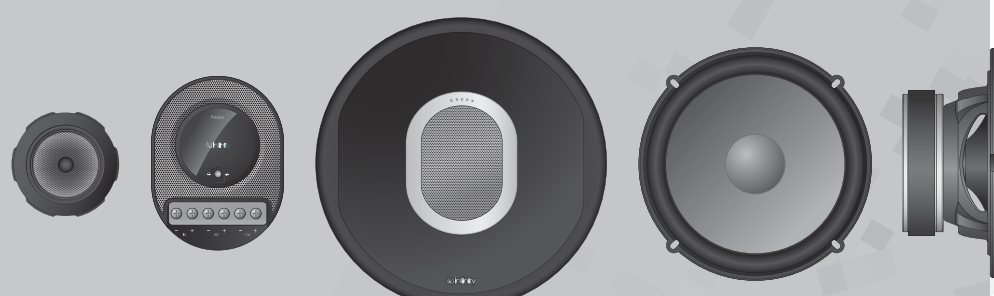


6809cs



509cs, 659cs

509cs, 609cs, 659cs, 6809cs, 109t



Infinity

kappa series

Infinity TECHNOLOGY • PERFORMANCE • DESIGN A Harman International Company

Declaration of Conformity
 CE
 We, Harman Consumer Group, Inc.
 2, route de Tours
 72500 Château du Loir
 France
 declare in own responsibility that the products described in this owner's manual
 are in compliance with technical standards:
 EN 61000-6-3:2001
 EN 61000-6-1:2001
 Klaus Leberitz
 Harman Consumer Group, Inc.
 Château du Loir, France 2/08

A valid serial number is required for warranty coverage.
 Features, specifications and appearance are subject to change without notice.
 This product is designed for mobile applications and is not intended for connection to the mains.
 Harman Consumer Group, Inc. • 2 route de Tours, 72500 Château du Loir, France • www.infinitysystems.com
 © 2008 Harman International Industries, Incorporated. All rights reserved. Part No. KAPPA00P0M2/08
 Infinity and Kappa are trademarks of Harman International Industries, Incorporated,
 registered in the United States and/or other countries.

